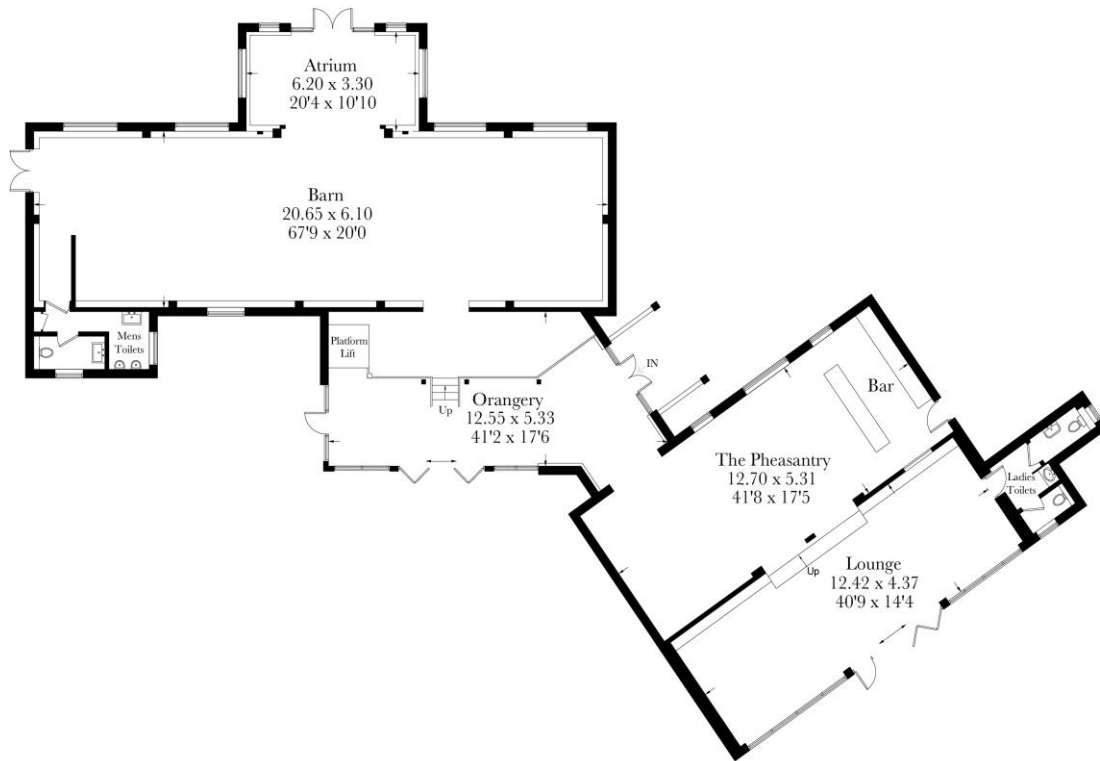


Useful Measurements

Approximate Gross Internal Area = 351.1 sq m / 3779 sq ft



This plan is for layout guidance only. Not drawn to scale unless stated. Windows and door openings are approximate. Whilst every care is taken in the preparation of this plan, please check all dimensions, shapes and compass bearings before making decisions reliant upon them. (ID410446)

www.bagshawandhardy.com © 2018

Chandelier Measurements

The Barn has 4 in the main room - approx. 1.4m diameter and is 289cm drop to the barn floor. Each chandelier has 10 candle light bulbs.

The Granary has 2 – approx. 72.5cm diameter and is 272cm drop to the granary floor. Each chandelier has 6 candle light bulbs.

Sconces

There are 8 sconces in The Barn, 2 in The Granary and 5 in The Pheasantry. The measurement between the 2 sconces in the middle of The Barn, usually behind the top table is approx. 360cm

Registrars Table Measurements

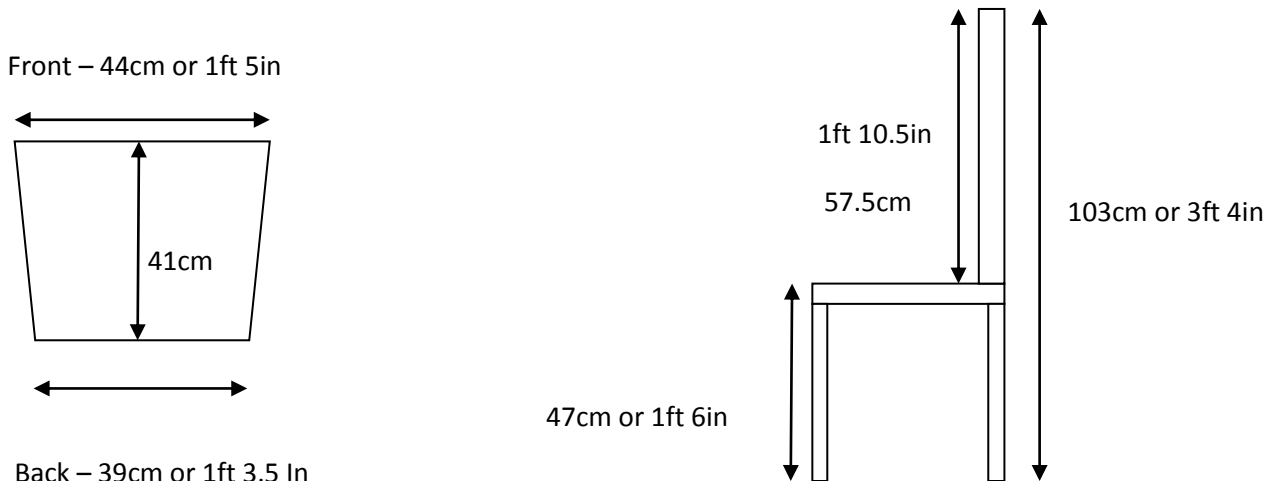
Square Table (mm) = 745h x 880w x 880d (this table is used by the Registrar registering the marriage)

Rectangle Table (mm) = 737h x 1220w x 607d (this is used by the Registrar conducting the ceremony)

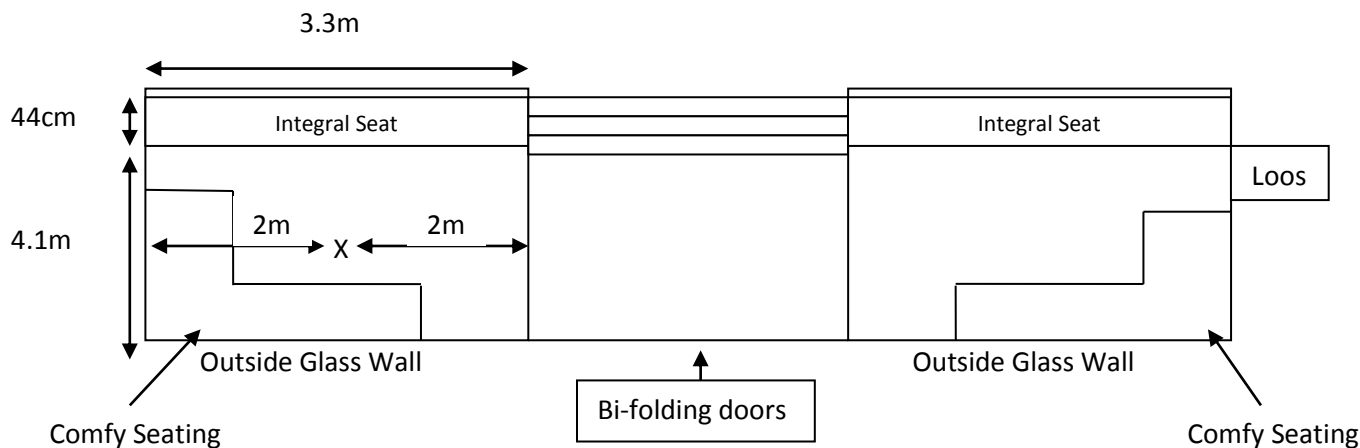
All other tables (e.g. trestle/round etc)

Drop from table top to floor is 76cm

Chair Measurements



Lower Level of The Pheasantry



Heights – Lower Level of The Pheasantry:

Outside glass wall floor to ceiling – 2.26 m BUT beam in central position reduces height by 28cm

Integral seat to floor – 52cm

Integral seat to ceiling – 217cm

X – Central Beam – 200cm either side from the beam to the wall on the left-hand side and to the bi-folding doors on the right

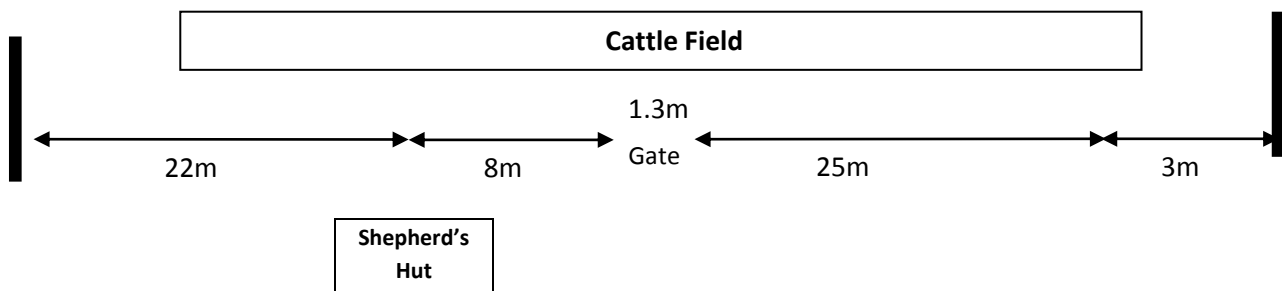
Dimensions of pots either side of Bi-folding doors – diameter 20cms/ height 71cms

Bar Measurement

Width 77cm Length 411cm Drop 95cm

There are two hooks positioned on both sides and under the top lip of the bar for tying decorations. Please note pins, tacks, nails etc **CANNOT** be used on the bar as they mark the woodwork and pins/nails sticking out have ripped guest’s clothes when leaning against the bar...

Garden Fence Measurements



Bunting Measurements

Everyone has different ideas on how they would like their bunting to look i.e. some like it across The Barn and quite tight, others like it around the sides of The Barn as well, but the picture below shows the most popular style. The picture does not show the last strip of bunting which is pinned into the corner of The Barn above the gent's bathroom entrance. The measurement of bunting required for the below is approximately 35 meters.



Height of cross beam from floor in Main Barn

3.8m approx.

Access from Back Kitchen Gate to Barn Garden – for vans etc

1.70m

The Orangery

Nothing can be attached, pinned or nailed into any of the paint and woodwork in The Orangery, but we have placed nails and eyelets in the places we know work for decorations. The measurements are as follows:

1. Porch Entrance

The Orangery has an eyelet on each porch pillar and one in the centre of the porch;

- Left Pillar Eyelet to Centre Eyelet = 1525mm
- Centre Eyelet to Right Centre Eyelet = 1525mm
- Pillar Eyelet to Pillar Eyelet = 3050mm

2. Internally

The measurement between the nails on the pillars is 390mm from the outside nail to the inside nail and from outside nail to outside nail it is 790mm

